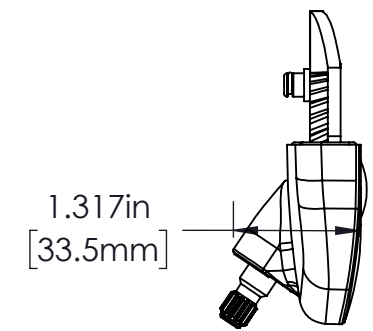
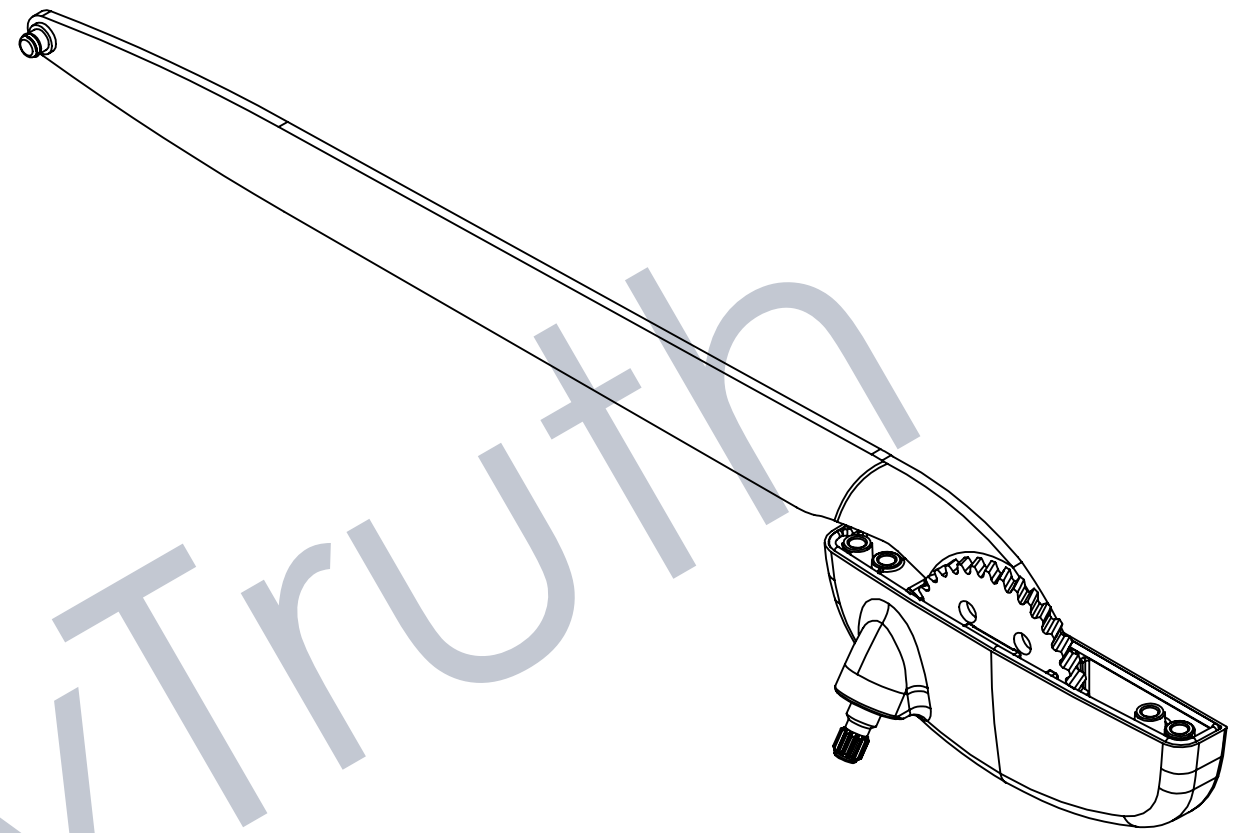
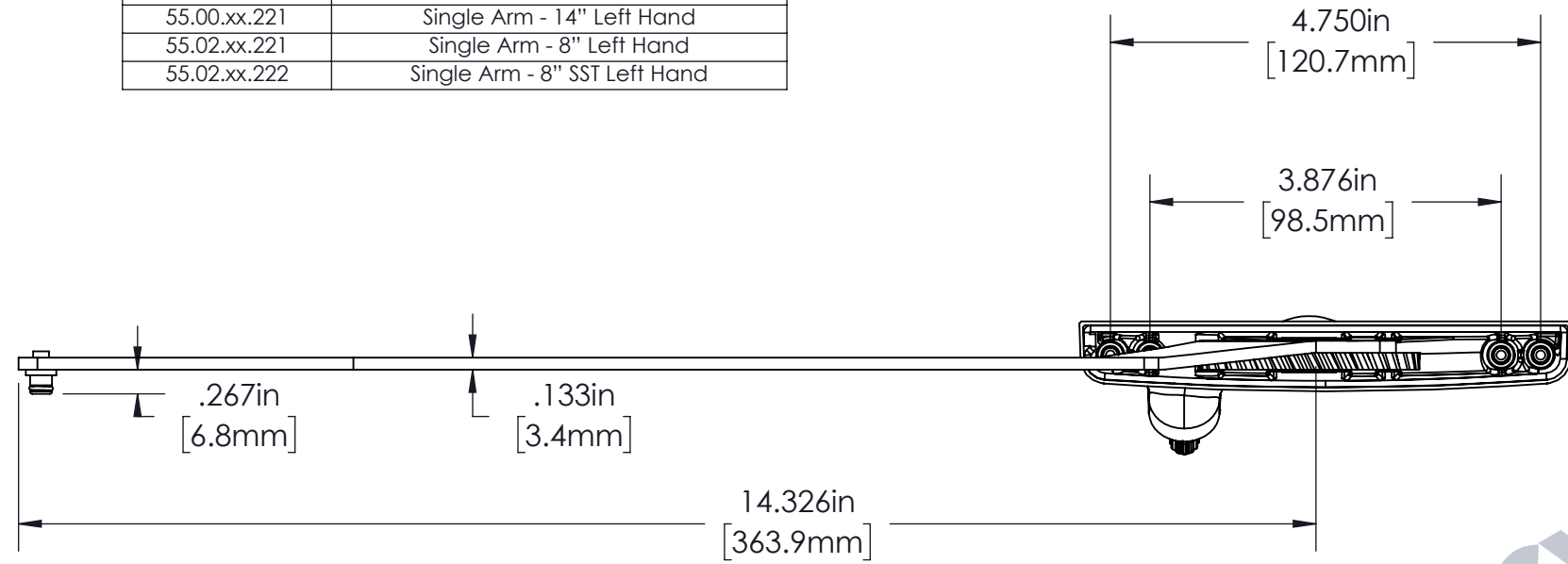
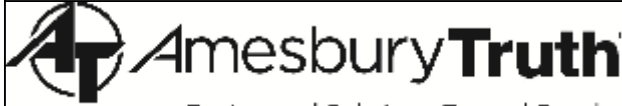
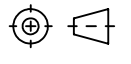


PART NUMBER	DESCRIPTION
55.00.xx.221	Single Arm - 14" Left Hand
55.02.xx.221	Single Arm - 8" Left Hand
55.02.xx.222	Single Arm - 8" SST Left Hand



CUSTOMER PAGE

 <p>Amesbury Truth Engineered Solutions. Trusted Results.</p> <p>THE INFORMATION CONTAINED IN THIS DRAWING IS CONFIDENTIAL AND PROPRIETARY. THIS DRAWING IS NOT TO BE COPIED OR REPRODUCED IN WHOLE OR IN PART WITHOUT EXPRESS WRITTEN PERMISSION.</p>	INTERPRET PER: ASME Y14.5M-2009 UNITS: INCH	DRAWING TITLE: CONTOUR SINGLE ARM CASEMENT EUR 14 INCH RH
	THIRD ANGLE PROJECTION 	SCALE: 1:2 DRAWING #: 55.00.XX.222